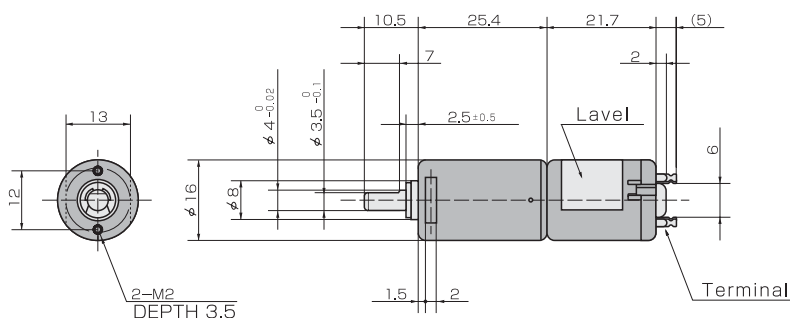


## TGU16-S

(DC Motor with Brushes)



### Dimensions



### Applications

Game machines, Automatic Teller machines (ATM), Door locks, Convey equipment, automatic and electrical curtains, Duplicators, and Robotics.

### Standard specifications for Gearhead

Reduction ratio	Gear stages	Allowable Torque		Moment maximum load		Allowable radial load	Allowable axial load
		mN·m	kgf·cm	mN·m	kgf·cm		
15~26	2	49	0.5	73.5	0.75	4.9	4.9
59~133	3	98	1.0	147.0	1.5	4.9	4.9

### Characteristic for Geared Motor

Part No				TGU16—24S (24V type)						TGU16—12S (12V type)					
Reduction ratio	Gear stages	Direction	Weight	No-load		Rating				No-load		Rating			
				Rev.	Current	Torque		Rev.	Current	Rev.	Current	Torque		Rev.	Current
				r/min	mA	mN·m	kgf·cm	r/min	mA	r/min	mA	mN·m	kgf·cm	r/min	mA
15	2	CCW	39	1,279	60	5.88	0.06	1,192	89.2	588	55	5.88	0.06	501	84
20				978	60	7.84	0.08	911	89.8	449	55	7.84	0.08	382	85
26				748	60	9.8	0.1	699	88.5	344	55	9.8	0.1	294	83
59	3		40	328	60	19.6	0.2	307	87.7	151	55	19.6	0.2	130	83
78				251	60	19.6	0.2	238	81.2	115	55	19.6	0.2	103	76
101				192	60	29.4	0.3	181	84.3	88.1	55	29.4	0.3	77.3	79
133		147		60	39.2	0.4	138	84.8	67.4	55	39.2	0.4	58.9	80	

### Standard specifications for motor

Type No.	Voltage	No-load		Rating				Starting		Weight	Brush	Noise element		
		Rev.	Current	Output	Torque		Rev.	Current	Torque				Current	
		r/min	mA	W	mN·m	gf·cm	r/min	mA	mN·m				gf·cm	mA
TP-1621A-24	DC24	21,000	35	0.9	0.49	5.0	18,700	85	4.48	45.7	491.5	15	Carbon	Varistor
TP-1621A-12	DC12	10,500	25	0.4	0.29	5.0	8,200	75	2.24	22.8	253.3	15	Carbon	Varistor

### TOK BEARING CO.,LTD.

HEAD OFFICE, TOKYO, JAPAN – TEL : 81-3-3969-1534 FAX : 81-3-3969-9354  
EMAIL : overseas@tok-bearing.co.jp

Product specification are subject to change without prior notice.

**Before assembly or use of any bearing, please read "Caution for Use"**