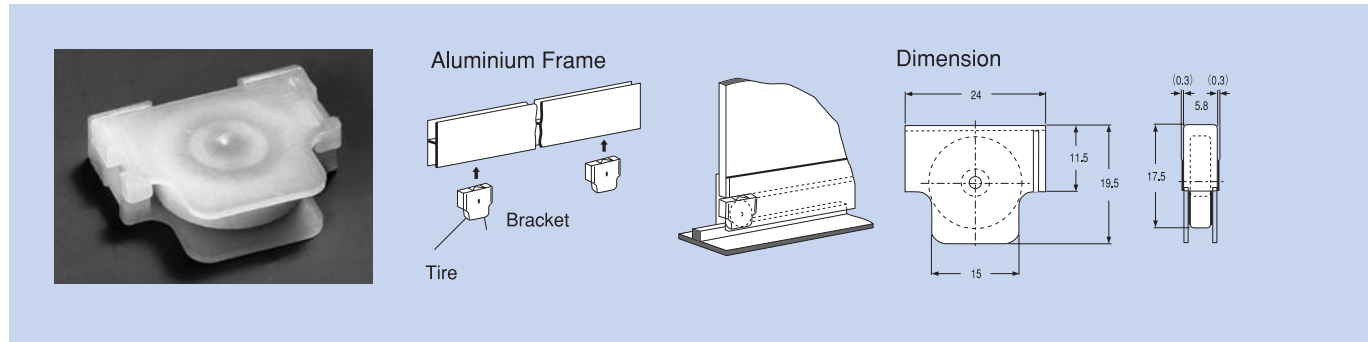


# SLIDING DOOR WHEELS

## GLASS SLIDING DOOR WHEEL/ ROLLER SET SCREEN V

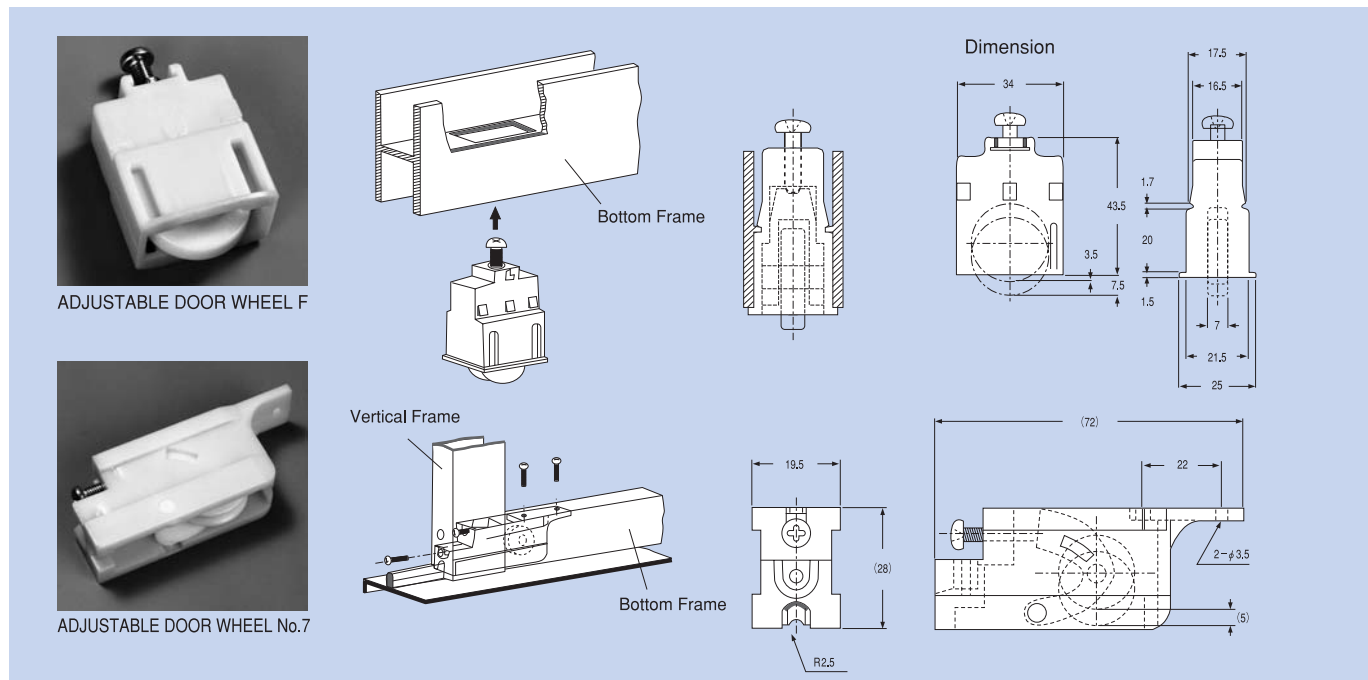
APPLICATIONS: For glass doors, such as display cases  
 TYPES: Glass Sliding Door Wheel: Bearing (DRS-16-H4.1WO.25)  
 Roller set screen V: Roller (POM: Polyacetal)



Code	Part NO.	Frame material	Kind of roller
260000	GLASS DOOR WHEEL	Polyethylene (PE)	Bearing (DRS-16-H4.1WO.25)
260068	ROLLER SET SCREEN V	Polyamide (PA)	Roller (POM : Polyacetal)

## UNIVERSAL TYPE SLIDING DOOR WHEELS WITH ADJUSTABLE HOUSING

APPLICATIONS: All types of sliding doors  
 FEATURES: 1. Easy installation without clamps  
 2. Free from corrosion, 100% plastic material  
 3. Smooth sliding with D-SERIES BEARINGS  
 MODELS: 2 types are available:  
 • ADJUSTABLE DOOR WHEEL F  
 • ADJUSTABLE DOOR WHEEL No.7



### TOK BEARING CO.,LTD.

HEAD OFFICE, TOKYO, JAPAN – TEL : 81-3-3969-1534 FAX : 81-3-3969-9354  
 EMAIL : overseas@tok-bearing.co.jp

Product specification are subject to change without prior notice.

**Before assembly or use of any bearing, please read "Caution for Use"**