

ROTARY DAMPERS

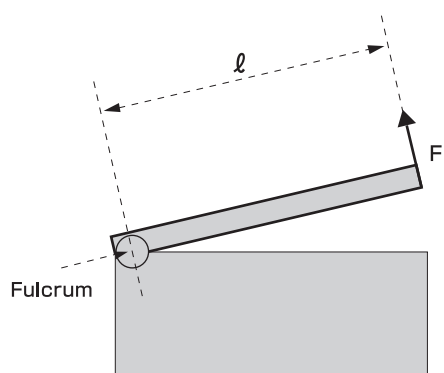
FINITE ANGLE TYPE

Code	torque lineup	torque value (kgf · cm)									damper size (mm)			
		1	10	20	30	40	50	~	90	10	20	30	40 ~	
TD73	1K·2K·3K	■									■			
TD75	1K·2K·3K	■									■			
TD38	1.5K·3K·6K	■	■								■	■		
TD14	10K·15K·20K		■	■							■	■		
TD60	10K·15K·20K		■	■							■	■		
TD27	5K~20K		■	■							■	■		
TD56	15K·20K·25K·30K			■	■						■	■		
TD63	15K·20K·25K			■	■						■	■		
TD69	20K·25K·30K·35K				■	■					■	■		
TD22	25K·40K					■	■				■	■		
TD42	50K·70K·90K							■	■		■	■	■	

INFINITE ANGLE TYPE

Code	torque lineup	torque value (kgf · cm)									damper size (mm)			
		0	1	2	3	4	5	6	7	8	10	20	30	40 ~
TD62	0.3/0.6/0.9/1.5/2.0K		■	■							■	■		
TD58	3K·5K·8K				■	■	■	■	■	■	■	■		

Calculation of torque (reference for selection of torque value)



- W : Weight of cover (kg)
 - ℓ : Distance between fulcrum and cover opening edge [m]
 - F : Gravity force [N]
 - T : Torque to be required [N · m]
- $$T = W \times 9.8 \times \frac{\ell}{2} \text{ [N · m]} \text{ or } T = F(\text{MAX}) \times \ell \text{ [N · m]}$$

TOK BEARING CO.,LTD.

HEAD OFFICE, TOKYO, JAPAN – TEL : 81-3-3969-1534 FAX : 81-3-3969-9354
EMAIL : overseas@tok-bearing.co.jp

Product specification are subject to change without prior notice.

Before assembly or use of any bearing, please read "Caution for Use"