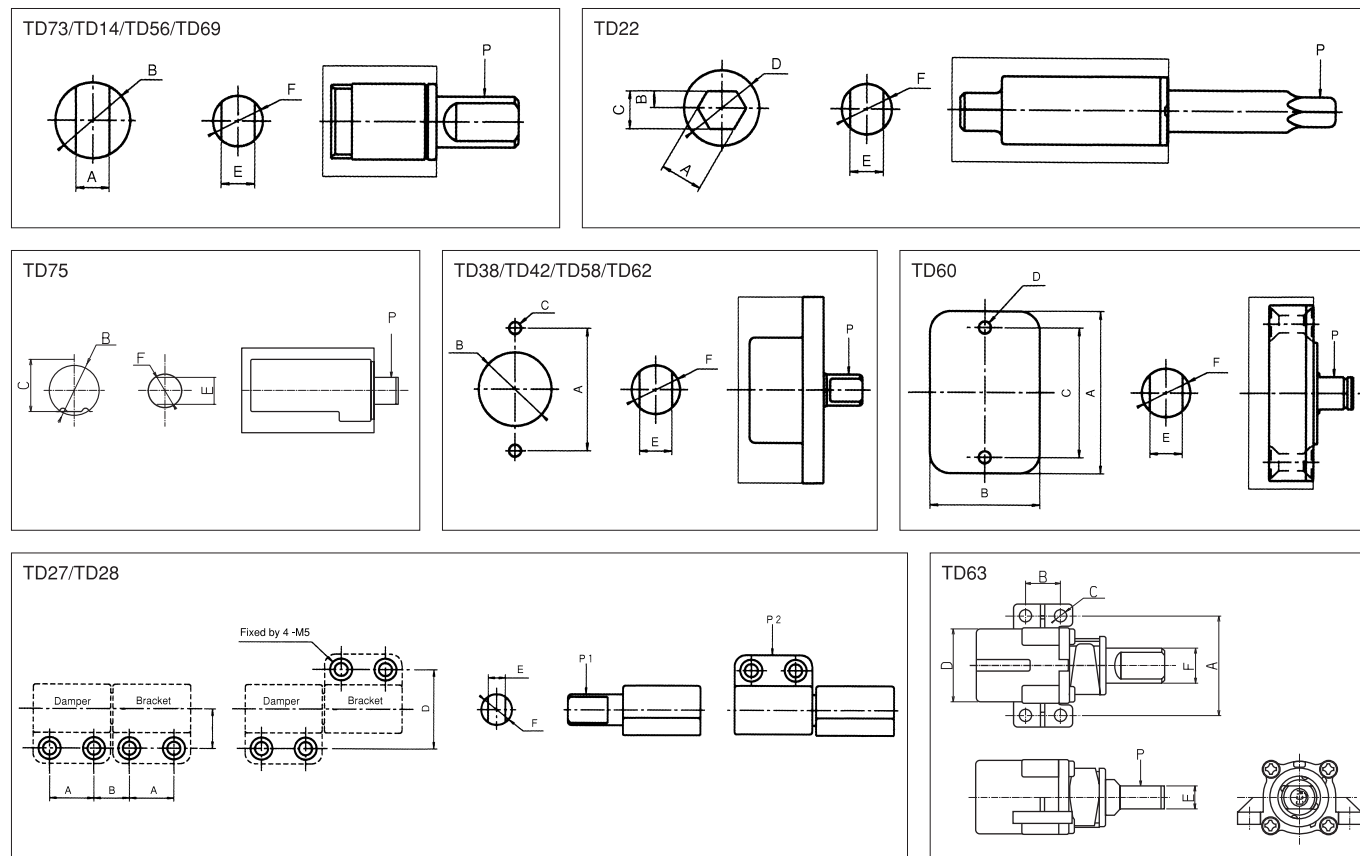


ROTARY DAMPERS

Dimension table for installing in counter parts (Recommendation)

Part No.	Item	For housing				For shaft		Allowable radial force [N] (kgf)
		A	B	C	D	E	F	
TD73		5 ^{+0.06} / _{-0.01}	φ 6 ^{+0.06} / _{+0.01}	—	—	5 ^{+0.06} / _{+0.01}	φ 6 ^{+0.06} / _{+0.01}	9.8 [N] (1kgf)
TD75		5 ^{+0.06} / _{-0.01}	φ 6 ^{+0.06} / _{+0.01}	9.2 ^{+0.06} / _{+0.01}	—	5 ^{+0.06} / _{+0.01}	φ 6 ^{+0.06} / _{+0.01}	9.8 [N] (1kgf)
TD14		8 ^{+0.07} / _{-0.01}	φ 18 ^{+0.07} / _{+0.01}	—	—	8 ^{+0.07} / _{+0.01}	φ 12 ^{+0.07} / _{+0.01}	29.4 [N] (3kgf)
TD56		8 ^{+0.07} / _{-0.01}	φ 18 ^{+0.07} / _{+0.01}	—	—	6 ^{+0.07} / _{+0.01}	φ 8 ^{+0.07} / _{+0.01}	29.4 [N] (3kgf)
TD69		8 ^{+0.06} / _{-0.01}	φ 16 ^{+0.40} / _{+0.35}	φ 20 ^{+0.06} / _{+0.01}	—	8 ^{+0.06} / _{+0.01}	φ 12 ^{+0.06} / _{+0.01}	29.4 [N] (3kgf)
TD22		10 ^{+0.11} / _{-0.06}	(4)	9 ^{+0.06} / _{-0.01}	φ 16.2 ^{+0.16} / _{+0.11}	7 ^{+0.06} / _{+0.01}	φ 10 ^{+0.06} / _{+0.01}	19.6 [N] (2kgf)
TD27 TD28		20 ±0.1	16 ^{+0.3} / ₀	(18)	36 ±0.1	7.5 ^{+0.16} / _{+0.06}	φ 14 ^{+0.16} / _{+0.06}	P1 : 29.4 [N] (3kgf) P2 : 39.2 [N] (4kgf)
TD38		34 ±0.1	φ 22.3 ±0.1	M4	—	5 ^{+0.06} / _{+0.01}	φ 6 ^{+0.06} / _{+0.01}	29.4 [N] (3kgf)
TD42		56 ±0.1	φ 41 ±0.2	φ 5.3	—	8 ^{+0.07} / _{+0.01}	φ 12 ^{+0.07} / _{+0.01}	9.8 [N] (1kgf)
TD62		36 ±0.3	φ 25 ^{+0.1} / ₀	M3	—	—	—	13.4 [N] (1.37kgf)
TD58		44 ±0.3	φ 32 ±0.2	M4	—	—	—	13.4 [N] (1.37kgf)
TD60		43.4 ^{+0.06} / _{+0.01}	26.8 ^{+0.06} / _{+0.01}	34 ±0.1	M4	8 ^{+0.07} / _{+0.01}	φ 10 ^{+0.07} / _{+0.01}	29.4 [N] (3kgf)
TD63		34 ±0.1	12 ^{+0.3} / ₀	M4	φ 25 ^{+0.5} / _{+0.4}	8 ^{+0.07} / _{+0.01}	φ 12 ^{+0.07} / _{+0.01}	29.4 [N] (3kgf)



TOK BEARING CO.,LTD.

HEAD OFFICE, TOKYO, JAPAN - TEL : 81-3-3969-1534 FAX : 81-3-3969-9354
EMAIL : overseas@tok-bearing.co.jp

Product specification are subject to change without prior notice.

Before assembly or use of any bearing, please read "Caution for Use"