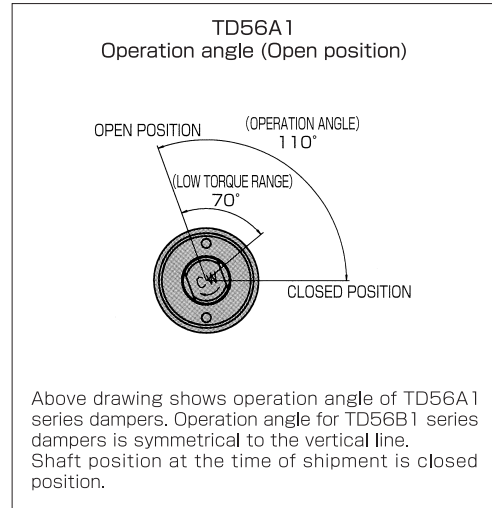
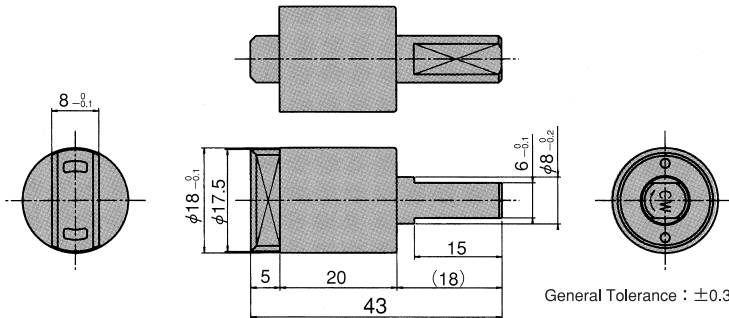


## TD56 SERIES



### FEATURES

- RoHS compliance
- TD56 DAMPERS have a device which reduces back-lash and continues to exhibit a positive damping effect.
- TD56 DAMPER permits 2.94N+m of maximum torque.

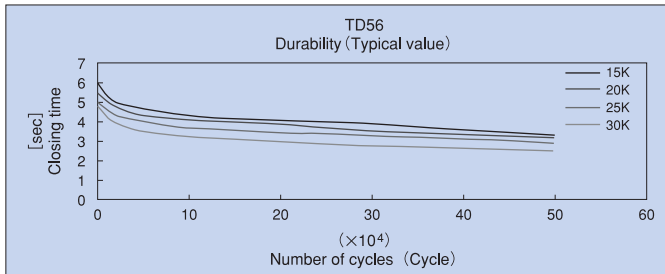


Code	Part No.	Allowable Torque [N·m] (Kgf·cm)	Direction
605608	TD56A1-15K	[1.47] (15)	CW (R)
605606	TD56A1-20K	[1.96] (20)	CW (R)
605604	TD56A1-25K	[2.45] (25)	CW (R)
605600	TD56A1-30K	[2.94] (30)	CW (R)

Code	Part No.	Allowable Torque [N·m] (Kgf·cm)	Direction
605609	TD56B1-15K	[1.47] (15)	CCW (L)
605607	TD56B1-20K	[1.96] (20)	CCW (L)
605605	TD56B1-25K	[2.45] (25)	CCW (L)
605601	TD56B1-30K	[2.94] (30)	CCW (L)

### DURABILITY

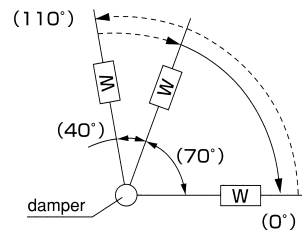
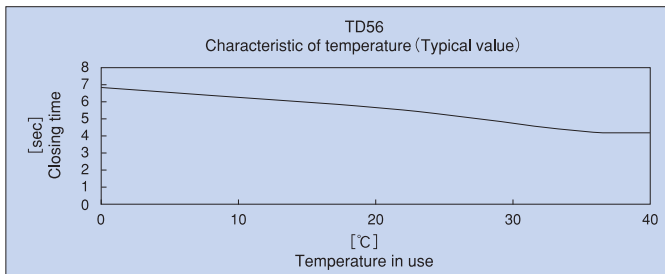
Each damper is set-up with an applied torque and weight on the shaft of the testing device. Measurements for closing time are taken under above condition.



Operation angle	110°	
Durability	50,000cycles	
Closing time	Applied torque	Initial value
	1.47N·m (15kgf·cm)	3~10 (sec)
	1.96N·m (20kgf·cm)	3~10 (sec)
	2.45N·m (25kgf·cm)	3~10 (sec)
2.94N·m (30kgf·cm)	3~10 (sec)	

### TEMPERATURE CHARACTERISTICS

After the damper is stabilized at room temperature for 1 hour or more, the closing time is measured using a TOK made device.



### TEST CONDITION

- ① Setting-up time : 15sec/cycle
- ② Applied torque :
  - 1.47N·m (15kgf·cm)
  - 1.96N·m (20kgf·cm)
  - 2.45N·m (25kgf·cm)
  - 2.94N·m (30kgf·cm)
- ③ Temp : 23°C  $\pm$  2°C
- ④ Angle for measuring the closing time : 70°  $\rightarrow$  0°
- ⑤ Radial force : nothing
- ⑥ Closing time after durability test : 1 sec or more

### TOK BEARING CO.,LTD.

HEAD OFFICE, TOKYO, JAPAN – TEL : 81-3-3969-1534 FAX : 81-3-3969-9354  
EMAIL : overseas@tok-bearing.co.jp

Product specification are subject to change without prior notice.

**Before assembly or use of any bearing, please read "Caution for Use"**