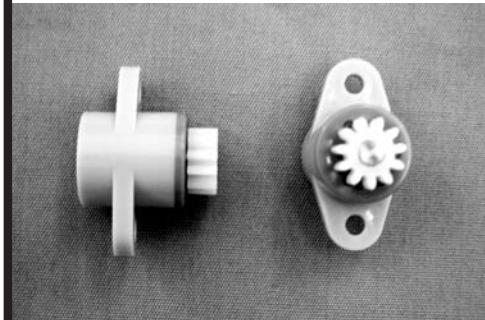


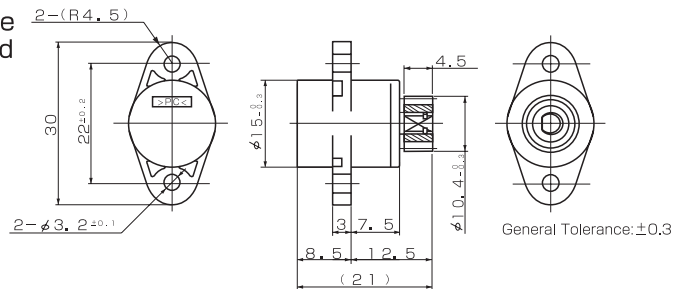
New Product Lineup

TD88 SERIES



FEATURES

- RoHS compliance
- One direction and compact size
- High durability



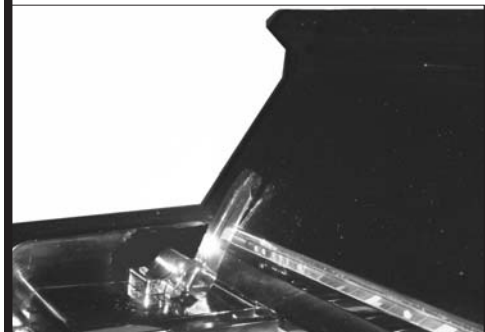
Code	Part No.	Allowable Torque [mN·m] (gf·cm)	Direction
608800	TD88R1-400	[40] (410)	CW (R)
608810	TD88L1-400	[40] (410)	CCW (L)

※Applicable in the different torque.

※Bidirection type of TD88 DAMPERS can also be manufactured.

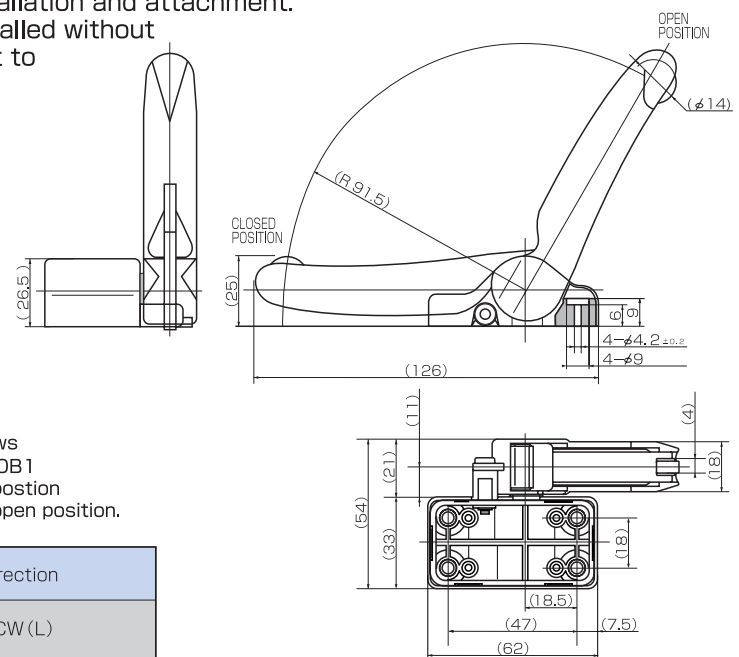
Gear Specification	
Profile of Gear	Standard Spur Gear
Tooth Profile	Full Depth Tooth
Module	0.8
Pressure Angle	20°
Number of Teeth	11
P,C,D [mm]	φ8.8
Shift	-
Displacement over given Number of Teeth [mm]	3,67/2

TD90 SERIES

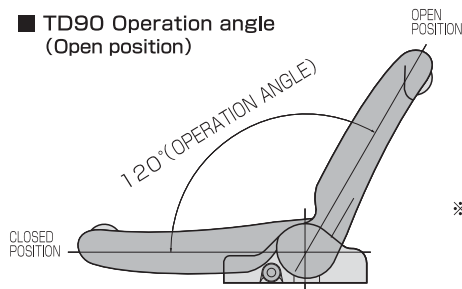


FEATURES

- RoHS compliance
- Eliminates pinch points, fingers and hands. (upper lid support and assistance)
- Simple installation and attachment.
- Can be installed without attachment to the cover.



TD90 Operation angle (Open position)



※Drawing in the left shows operation angle of TD90B1 series dampers. Shaft position at time of shipment is open position.

Code	Part No.	Allowable Torque [N·m] (kgf·cm)	Direction
609000	TD90B1-20K	[19.6] (20)	CCW (L)

※Please ask for available colors.

TOK BEARING CO.,LTD.

HEAD OFFICE, TOKYO, JAPAN – TEL : 81-3-3969-1534 FAX : 81-3-3969-9354
EMAIL : overseas@tok-bearing.co.jp

Product specification are subject to change without prior notice.

Before assembly or use of any bearing, please read "Caution for Use"