

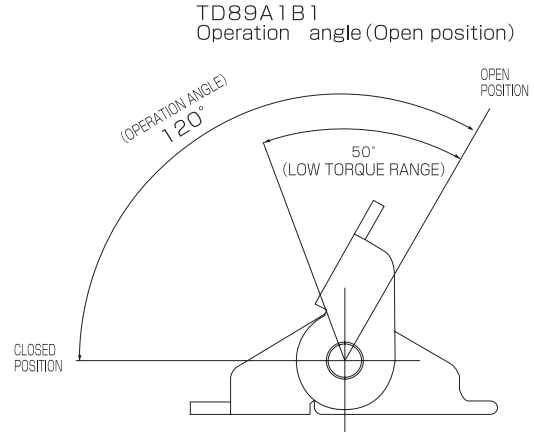
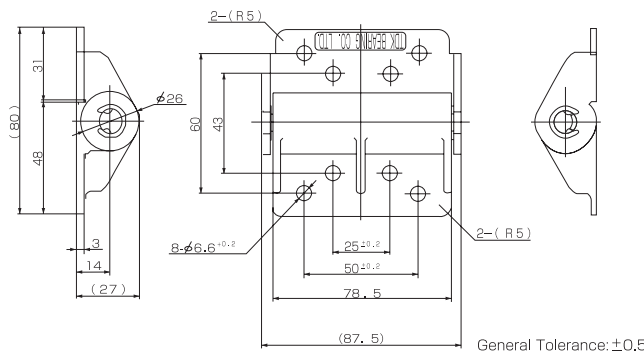
New Product Lineup

TD89 SERIES



FEATURES

- RoHS compliance
- TOK maximum torque damper
- Easy to install because of the small size of the hinge

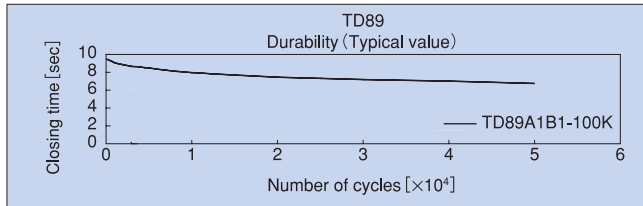


※ Above drawing shows operation angle of TD89A1B1 series dampers. Shaft position of shipment is closed position.

Code	Part No.	Allowable Torque [N·m] (kgf·cm)	Direction
608900	TD89A1B1-100K	[10.0] (100)	※Refer to the drawing of the operation angle on the right.

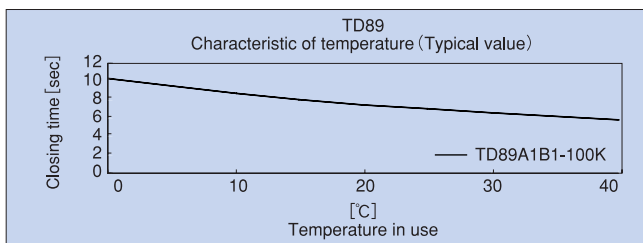
※Available in the different torque

※Please contact our engineer if the opposite damping direction is required.



DURABILITY

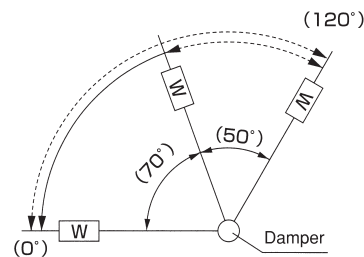
Each damper is set-up with an applied torque and weight on the shaft of the testing device. Measurements for closing time are taken under above condition.



TEMPERATURE CHARACTERISTICS

After the damper is stabilized at room temperature for 1 hour or more, the closing time is measured using a TOK made device.

Operation angle	120°	
Durability	50,000cycles	
Closing time	Applied torque 10.0N·m (100kgf·cm)	Initial Value 3~12sec



TEST CONDITION

- ① Setting-up time : 20sec/time
- ② Applied torque : 10.0N·m (100kgf·cm)
- ③ Temp : 23°C±2°C
- ④ Angle for measuring the closing time : 70°→0°
- ⑤ Radial force : nothing
- ⑥ Closing time after durability test : 1 sec or more

TOK BEARING CO.,LTD.

HEAD OFFICE, TOKYO, JAPAN - TEL : 81-3-3969-1534 FAX : 81-3-3969-9354
EMAIL : overseas@tok-bearing.co.jp

Product specification are subject to change without prior notice.

Before assembly or use of any bearing, please read "Caution for Use"