

PLALINEAR®/PLALINEAR MOTION®



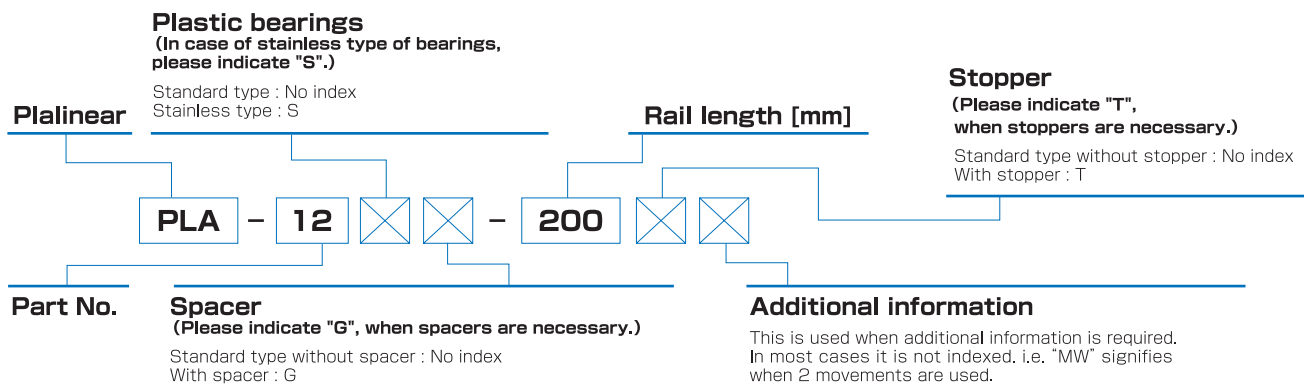
These basic bearing systems operate with an exterior drive and are available in four standard sizes.

No. 986766

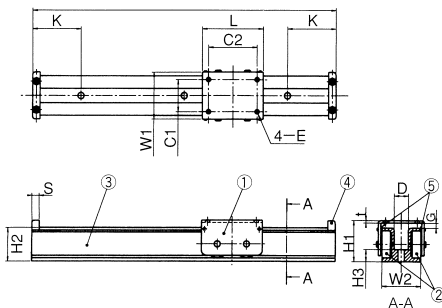
MAIN COMPONENTS

No.	Item	Material and Specification
①	Moving chasis	ISO 3574(SPCC/JISG314) w/Zinc Plating or Stainless ISO 683(SUS304/JISG4305)
②	Bearing	D series or MD series bearings are used for Standard types. DR-S series bearings are used for Stainless.
③	Rail	Aluminum ISO 209(A6063/JISH4100)
④	Stopper	Polyethylene Resin (Movement is eliminated by installing the stopper)
⑤	Spacer	Polyacetal Resin (with a insert of a spacer between the movement and the rail, horizontal clearance will be reduced.)

NUMBERING SYSTEM OF A PLALINEARS



MEASUREMENT



DIMENSION

Part No.	Height		Width		Length		Clearance		Stopper		Moving				Rail				
	H1	W1	L	G	S	C1	C2	t	4-E	W2	H2	H3	D	K	Installation recommendation fixing screw				
Type9	15.6	18.0	22	2.5	3.2	12	16	1.2	4-M2.5	14.6	11.8	4	5.2	10	M2.5	Cross recessed head machine screw			
Type12	20.0	22.8	30	2.5	4.0	14	22	1.6	4-M3	18.6	16.0	5	5.6	20	M3				
Type16	26.0	30.0	38	3.0	5.0	20	30	2.0	4-M3	24.0	20.9	8	8.0	30	M4				
Type22	33.5	38.0	50	4.0	6.0	26	40	2.0	4-M4	32.0	27.5	10	11.6	40	M5				

Part No.	Rail standard length									Custom-made specification	
	60	100	140	180	220	260	300	340	380	3,600 (3,600Max)	
Type9	60	100	140	180	220	260	300	340	380	3,600 (3,600Max)	
Type12	100	160	220	280	340	400	460	520	580	3,600 (3,600Max)	
Type16	140	220	300	380	460	540	620	700	780	3,600 (3,600Max)	
Type22	180	280	380	480	580	680	780	880	990	3,600 (3,600Max)	

●If your requirement needs rail lengths hole installations not listed, please contact our sales/engineering departments for assistance.

TOK BEARING CO.,LTD.

HEAD OFFICE, TOKYO, JAPAN – TEL : 81-3-3969-1534 FAX : 81-3-3969-9354
EMAIL : overseas@tok-bearing.co.jp

Product specification are subject to change without prior notice.

Before assembly or use of any bearing, please read "Caution for Use"